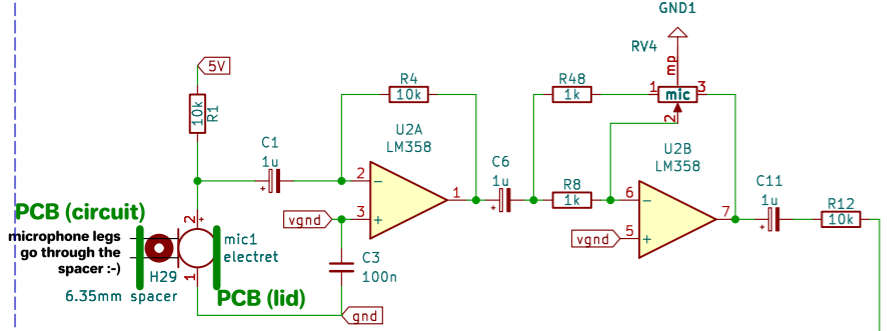
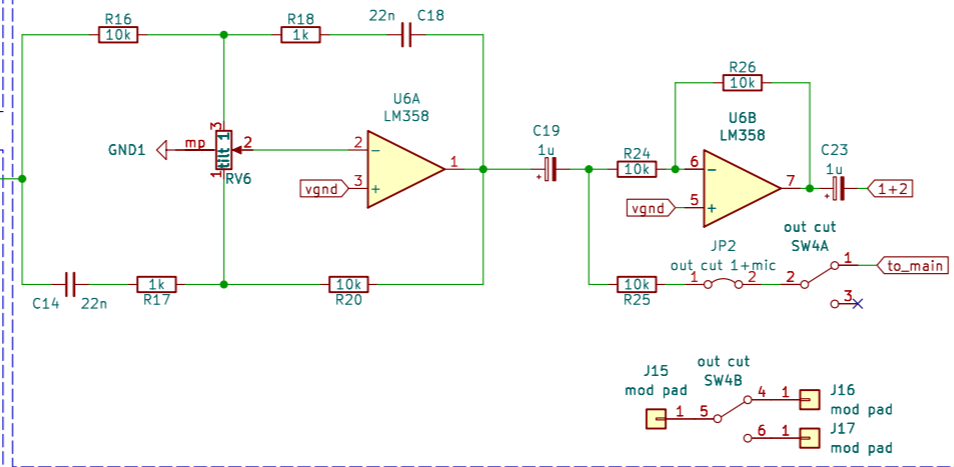


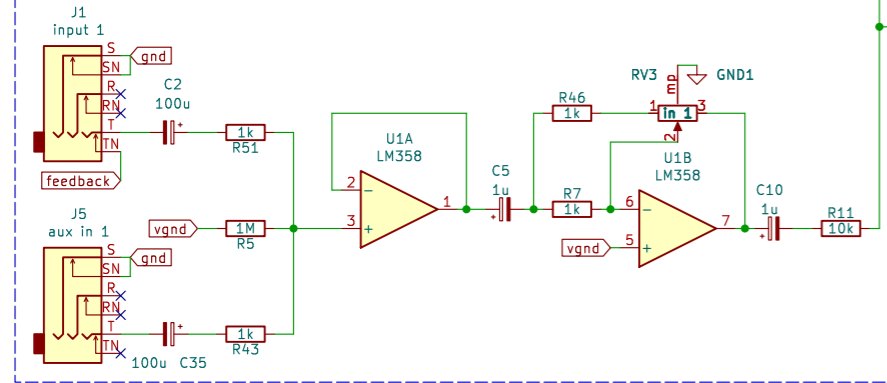
**mic**



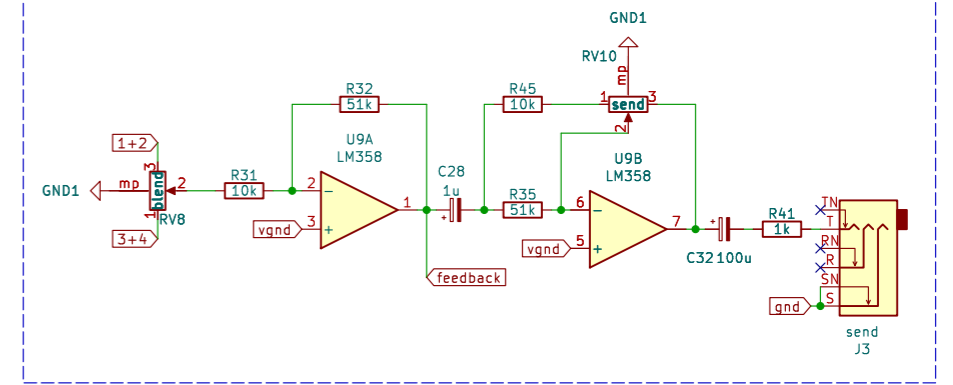
**tilt m+1 & out cut**



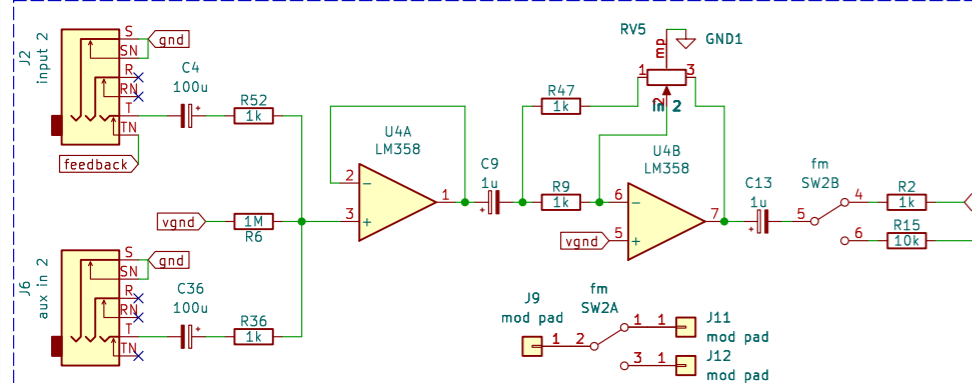
**channel 1**



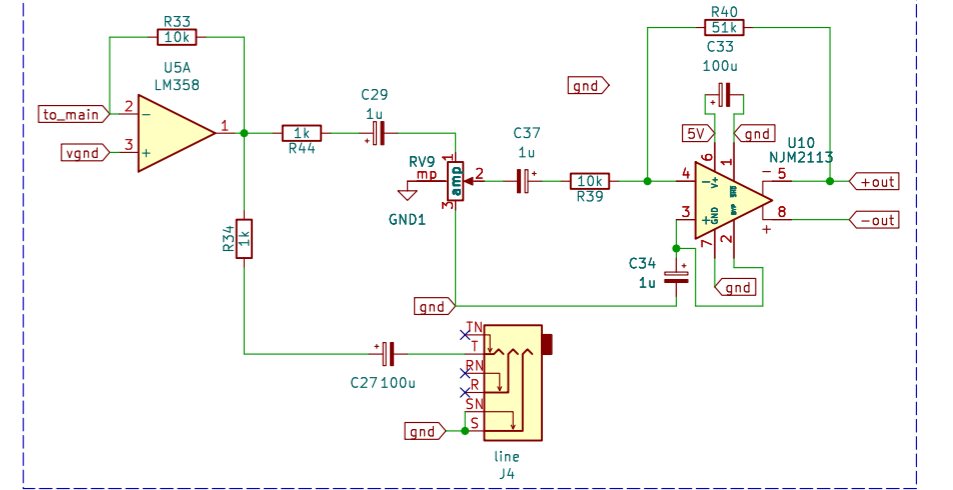
**blend & send**



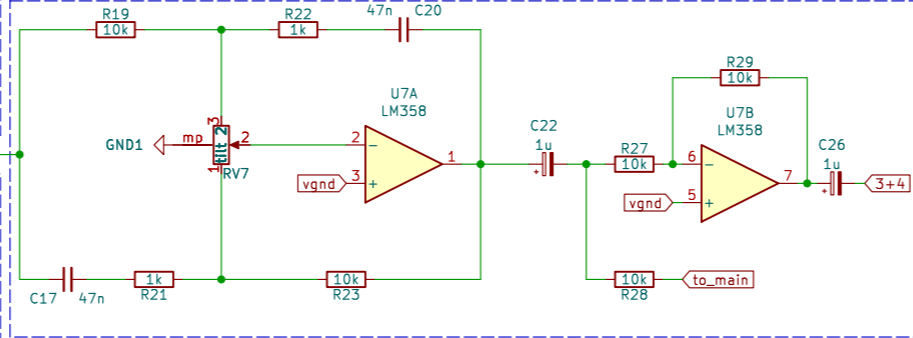
**channel 2**



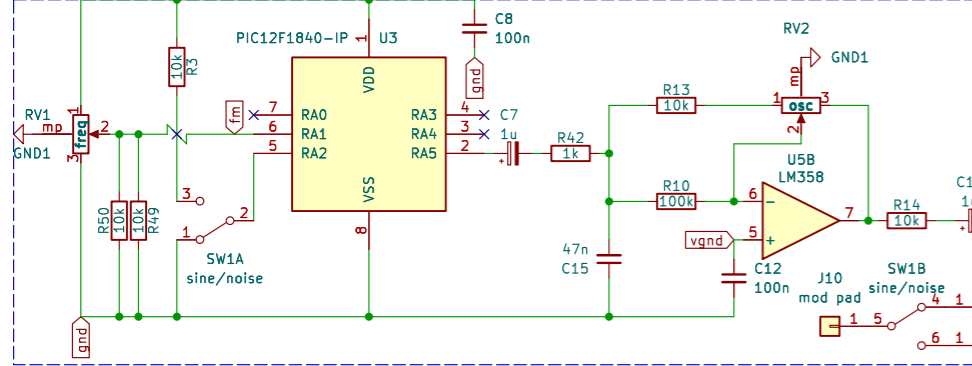
**amp & line**



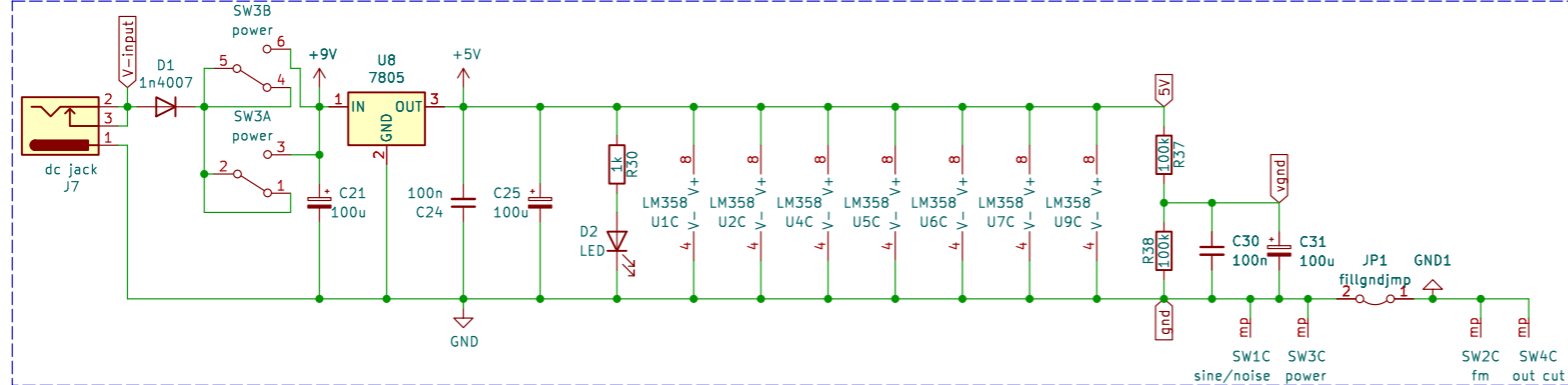
**tilt 2+o**



**OSC**



**power**

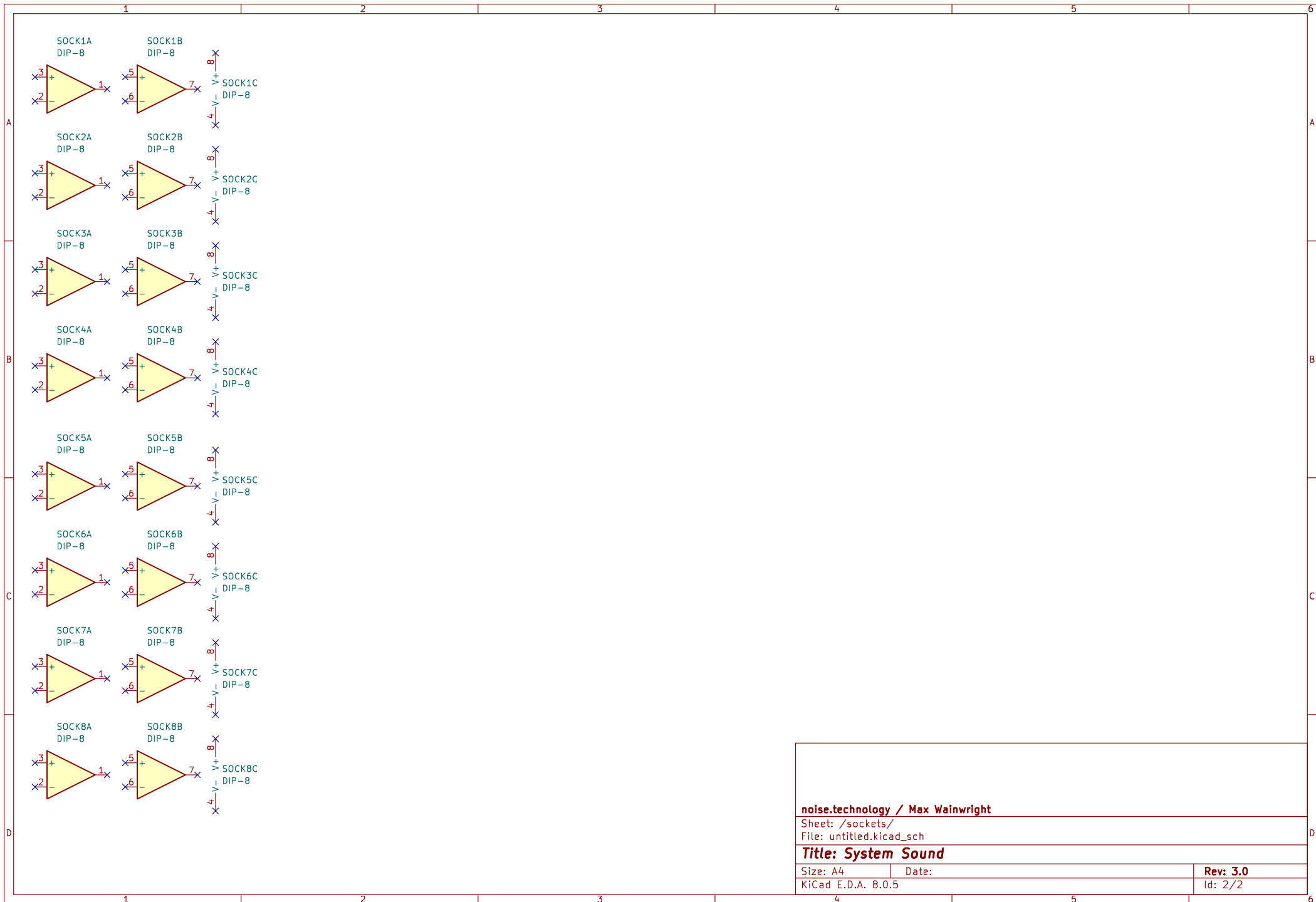


**MECHANICAL STUFF**

speaker connectors	PCB (circuit)	PCB (lid)
H28 M3x6mm screw H30 M3x6mm screw	H16 M3x10mm standoff H17 M3x10mm standoff	H22 M3 lock washer H23 M3 lock washer
H11 M3 lock washer H12 rubber foot	H18 M3x10mm standoff H19 M3x10mm standoff H20 M3x10mm standoff	H24 M3 lock washer H25 M3 lock washer H26 M3 lock washer
H6 Fahncclip H5 Fahncclip	H7 M3x6mm screw H8 M3x6mm screw H9 M3x6mm screw	H31 M3x6mm screw H32 M3x6mm screw H33 M3x6mm screw H34 M3x6mm screw H35 M3x6mm screw
H13 rubber foot H14 rubber foot H15 rubber foot	H10 M3x6mm screw	H27 M3 nut

**mounting points** note! → up

sockets



noise.technology / Max Wainwright

Sheet: /sockets/  
File: untitled.kicad\_sch

**Title: System Sound**

Size: A4

Date:

Rev: 3.0

KiCad E.D.A. 8.0.5

Id: 2/2